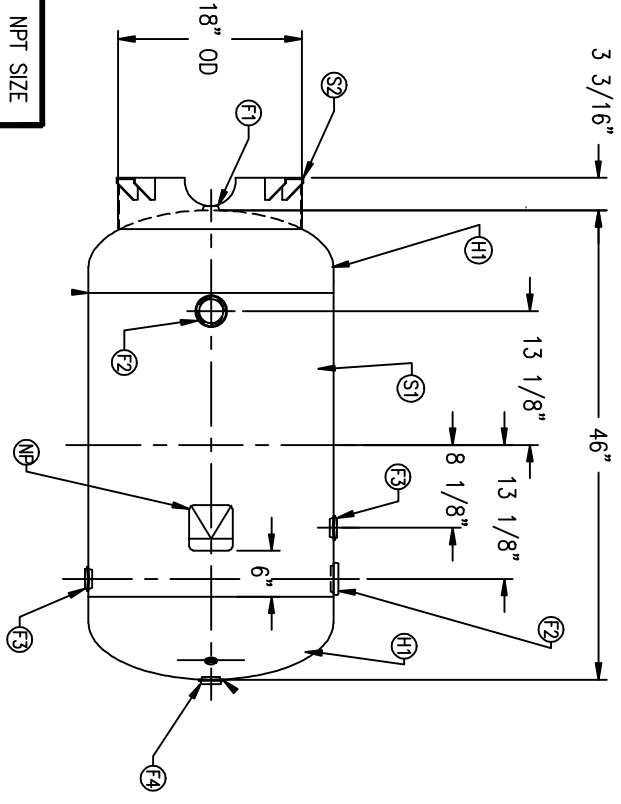


CODE/ADDENDA _____ APPROVED _____
 RELEASED FOR PRODUCTION _____
 Q.C. _____ DATE _____

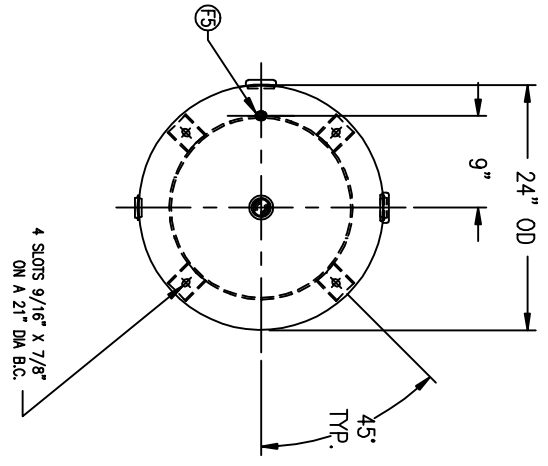


FIND NO.	NPT SIZE
F1	1/2
F2	2
F3	1 1/4
F4	1 1/4
F5	1/4

STW	DATE	BY	REVISION

APP

NOTES



SPECIFICATIONS

OLD 24 LGTH. 46
 MAMP 300 PSI @ 650 F
 CRN F1166.1C
 WELD DETAILS: M-1932
 STD. TOLERANCES (UNLESS OTHERWISE NOTED): M-2461

CAL. 80 S.A. 25.9
 WT. 282# CULFT. 10.7
 CODE ASME / NB
 PER DATE OF DMG/LAST REV



\\comp2\dmgs\302

VERTICAL AIR RECEIVER

DRAWN BY _____ DATE _____ SCALE: NONE
 APP. BY _____ DATE _____ DRAWING NO. 302418