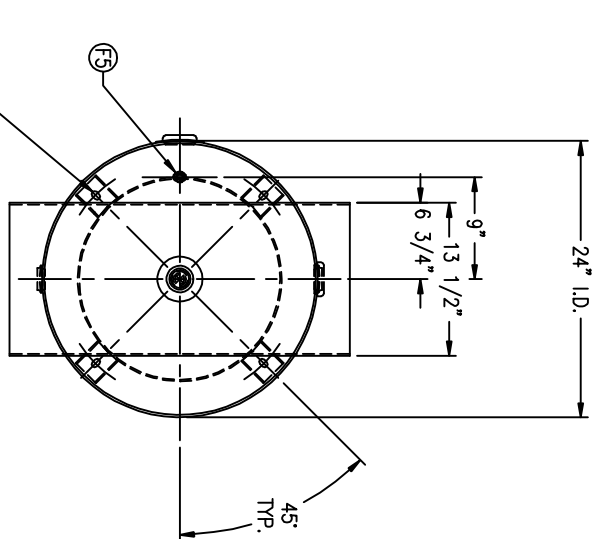
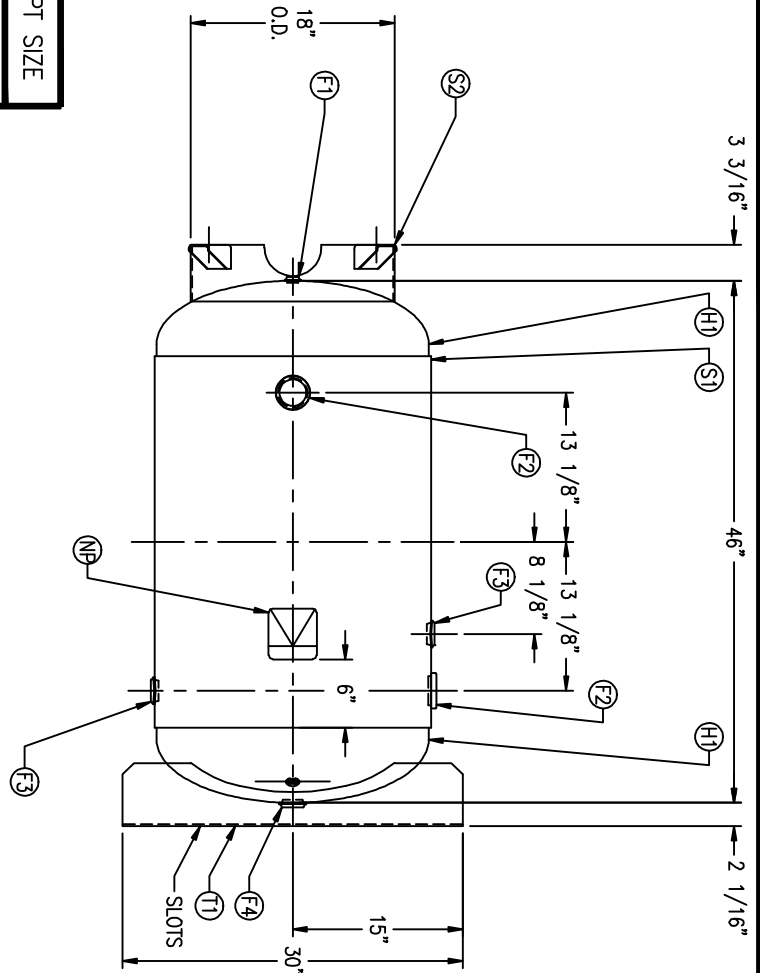


CODE/ADDENDA 2004/2005 APPROVED MR
 RELEASED FOR PRODUCTION
 Q.C. _____ DATE _____



9/16" X 7/8" SLOTS
 90° APART ON A
 21" DIA. BOLT CIRCLE

FIND NO.	NPT SIZE
F1	1/2
F2	2
F3	1 1/4
F4	1 1/4
F5	1/4

S/M	DATE	BY	REVISION

APP	XREF	REV
C427	D	
C694	B	

NOTES

SPECIFICATIONS

I.D. 24 LGTH. 46
 MAWP 200 PSI @ 650 F

QAL 80 SA. 26.3
 WT. 257# CU.FT. 10.7

CRN E7400.2C
 WELD DETAILS: M-1932
 STD. TOLERANCES (UNLESS OTHERWISE NOTED): M-2461

CODE: ASME SEC. VIII DIV. I,
 LATEST EDITION & ADDENDA



\\CORP2\DWG\302

VERTICAL AIR RECEIVER

DRAWN BY	DATE	SCALE
		NONE
APP. BY	DATE	DRAWING NO.
		302419