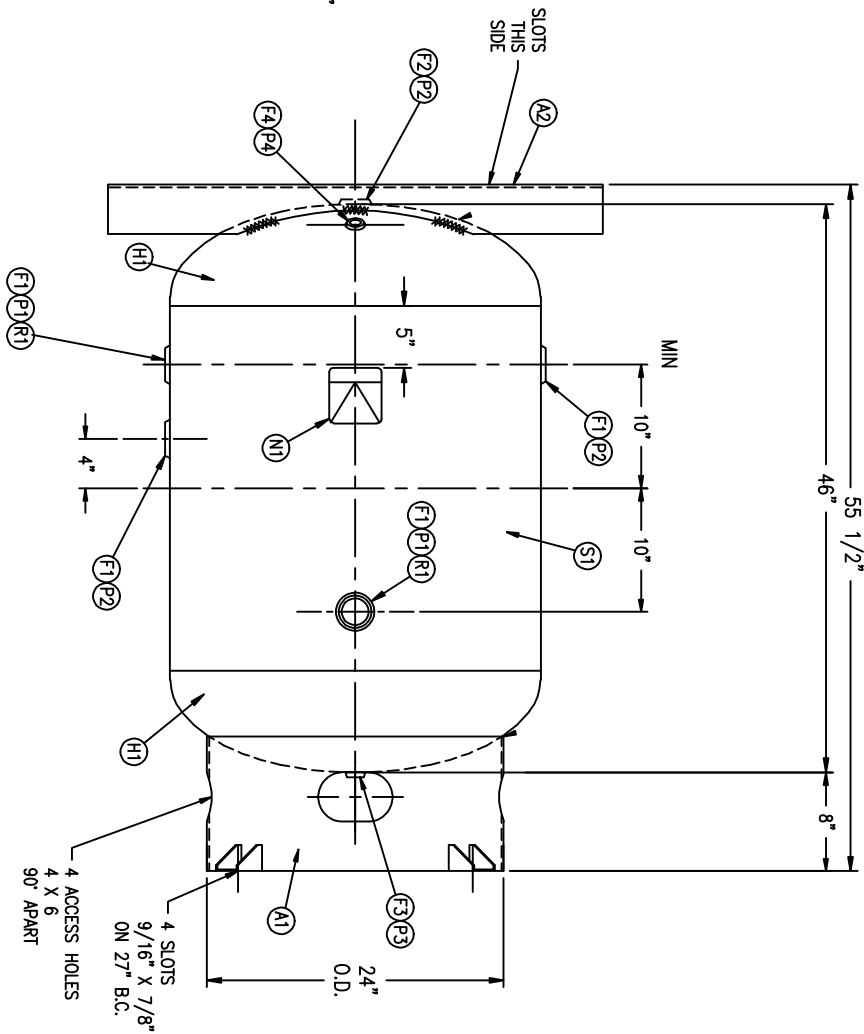
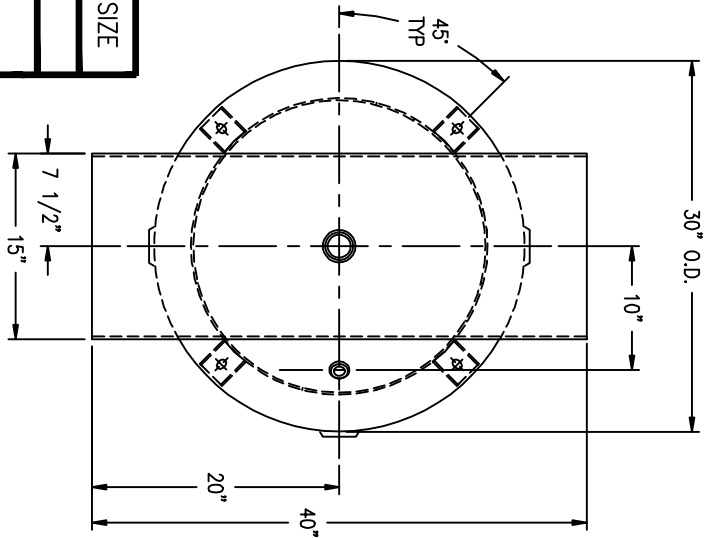


CODE/ADDENDUM \_\_\_\_\_ APPROVED \_\_\_\_\_  
 RELEASED FOR PRODUCTION \_\_\_\_\_  
 Q.C. \_\_\_\_\_ DATE \_\_\_\_\_



REF 203004601530  
 33624.1

FIND NO.	NPT SIZE
F1	2
F2	2
F3	1/2
F4	1/4

SYML DATE BY \_\_\_\_\_ REVISION \_\_\_\_\_

APP \_\_\_\_\_

NOTES \_\_\_\_\_

SPECIFICATIONS \_\_\_\_\_



**VERTICAL AIR RECEIVER**  
**120 GALLON**

O.D.: 30 LGTH: 46  
 MAMP: 200 PSI @ 400° F  
 CRN# F0628.1C  
 GAL: 120 SA: 33 ft<sup>2</sup>  
 WGT: 429# CU.FT: 16  
 CODE: ASME / NB  
 PER DATE OF DMG/LAST REV  
 WELD DETAILS M-1932  
 STD. TOLERANCES (UNLESS OTHERWISE NOTED) M-2461

DRAWN BY \_\_\_\_\_ DATE \_\_\_\_\_ SCALE: NONE  
 APP. BY \_\_\_\_\_ DATE \_\_\_\_\_ DRAWING NO. 302424