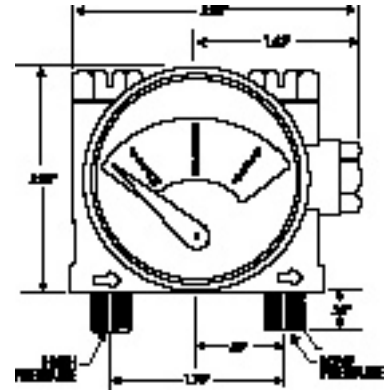


DIFFERENTIAL PRESSURE GAUGE DP-10A INSTRUCTION SHEET

Maximum Working Pressure 300 PSI
Maximum Working Temperature 150° F
Maximum Working Differential Pressure 12 PSI

IMPORTANT: Please read before attempting to install.

1. Be sure the two O-Rings are in place on the bottom of the gauge body.
2. The low pressure bolt is captured by the side bolt during the construction process and is not removable.
3. To mount the gauge on your filter head:
 - a. Thread the LOW pressure transmission bolt into the threaded boss on the downstream side of body ("OUT" port on filter). Hand tighten.
 - b. Thread the HIGH pressure transmission bolt into the threaded boss on the upstream side of body ("IN" port on filter). Torque both bolts to 25+/- 5 inch - oz.



DIFFERENTIAL PRESSURE GAUGE DP-10B
REMOTE MOUNTING INSTRUCTION SHEET

IMPORTANT: Please read before attempting to install.

1. Locate a flat surface for mounting block using diagram to locate the position of mounting holes.
2. Insert 1/8" tube fittings into mounting block.
3. Drill holes 1/4" deep and tap #10-32 thread.
4. Attach the mounting block to the flat surface using the cap screws and nuts provided.
5. Attach the DP-10 gauge to the block as instructed on reverse side.

OPTIONS AVAILABLE

1. Tubing Kit (TK-10) including tubing and fittings.
2. Mounting Kit (MK-10) used for angle and vertical wall mount.

