

COALESCING FILTER INSTRUCTION SHEET
 SERIES F45 OIL REMOVING (.9 MICRON)
 SERIES F55 COALESCING (.03 OR .01 MICRON)
 SERIES F65 CHARCOAL ADSORBER

Bowl	Max. Pressure	Temp. Range
Metal	250 PSI	40°F to 200°F
w/Sight	250 PSI	40°F to 160°F
w/Auto Drain	30 to 175 PSI	40°F to 120°F

WARNING: For compressed air service only. Not to be used on life support systems or breathing air systems. Metal Bowl sight is made of polycarbonate, which will craze and/or crack if exposed to chemicals incompatible with polycarbonate.

INSTALLATION

Install filter so the air flow is in the direction "IN-OUT" as indicated on the head of the unit. Filter should be installed upstream of regulators. If an air dryer is being used, install the filter downstream from the dryer. In most cases, an F3 particulate pre-filter with a 3 micron absolute element is recommended to greatly extend the life of the coalescer element. When the coalescer element becomes clogged with dirt, it must be replaced. If it is kept free from dirt, it will coalesce oil indefinitely. A pre-filter will remove water and dirt before it reaches the coalescer and will reduce maintenance costs. The coalescer filter is then free to remove oil, oil vapors, and submicron sized particles without prematurely clogging with large particles of dirt and scale.

WARNING

Units are die cast aluminum, do not over torque when installing. Also, pressurize unit slowly after installation of unit or new element to avoid damage to element.

OPERATION AND ADJUSTMENTS

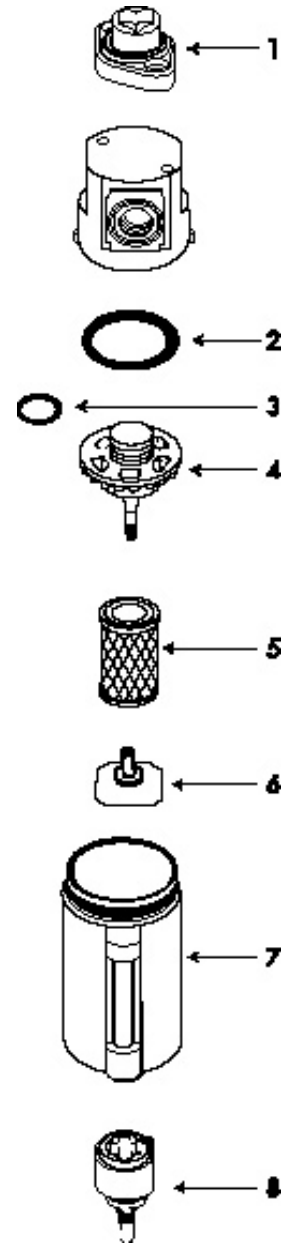
If the filter is installed properly, it should give long trouble-free service. The pressure drop across the filter should not exceed 10 PSI. If the pressure drop exceeds 10 PSI, either the filter element needs to be replaced or the unit is being operated beyond its capacity and a larger size unit is required. Operating the filter at a pressure drop in excess of 10PSI will greatly reduce the efficiency of the filter. If oil appears downstream: 1) check downstream air lines to be sure that they are free of residual oil; 2) check to see that the filter element of O-ring are in good condition and installed properly.

NOTE: IN ALL CASES, AN F5 OR F7 MUST PRECEDE AN F6 ADSORBER

DIFFERENTIAL PRESSURE INDICATOR MAINTENANCE

When the filter is depressurized, periodically clean and grease the piston O-ring with a non-silicon ring grease.

F-45/55/65



Note: Optional Automatic Float Drain is to be used for pressure from 30 psi to 175 psi, and from 40°F to 120° F.

FIVE SERIES

ID#	DESCRIPTION	KIT NO.	CONTENTS
		F450, F650, F550	
4	Indicator Sight Kit	DBK-05 EK35-5	Screws, Sightglass, Spring Bracket, O-Rings, Inner/ Outer Cylinders, Sight Dome
2, 7	Bowl Kit	BKF45M (6 oz.) BKF45W (6oz.)	Metal Bowl w/Drain Cock, O-Ring Metal Bowl w/Sight and Drain Cock, O-Ring
2, 3, 6	Repair Kit	RKF45	Retainer, O-Ring, Baffle
5	Element Kit	EK45	.9 Micron Oil Removing Element
		EK55	.03 Micron Coalescing Element (STD)
		EK55A	.01 Micron Coalescing Element
		EK65	Charcoal Adsorber
8	Auto Float Drain Kit	5200	Float Drain Assembly, Bowl Insert, O-Ring, Retaining Ring
N/S	Sight Kit	WK45	Indicator Ball, Sight Tube, Retainer (replacement only) O-Ring

DESICCANT DRYER INSTRUCTION SHEET
SERIES D05, D10, D25

Bowl	Max. Pressure	Temp. Range
Metal	250 PSI	40° F to 175°F
w/Sight Glass	250 PSI	40° F to 160° F

WARNING: For compressed air service only. Not to be used on life support systems or breathing air systems. Metal Bowl Sight is made of polycarbonate resin that will crack if exposed to solvents or oils containing ethyl acetate, methylenedichloride, methylethylketone, phenol, 1,1,2-trichloroethane, xylene, benzyl, alcohol, dichlorobenzene or any partially halogenated or aromatic hydrocarbons. For any additional information regarding chemical compatibility please contact: General Electric Plastics, One Plastic Ave., Pittsfield, MA.

INSTALLATION

Install dryer so that air flow is in the direction "IN-OUT" as indicated on the head of the unit. A prefilter combination is an absolute necessity ahead of the dryer. The first stage (our F3 style Particulate Filter) will remove heavy liquid water and solid particulates down to 40 microns. The second stage (our F5 Coalescer) will remove oil and water particles down to .03 microns.

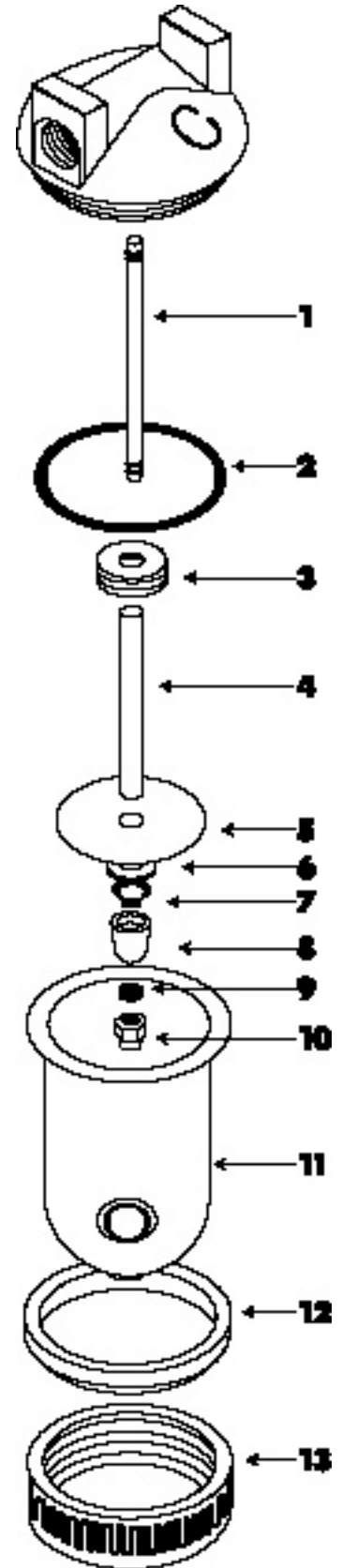
NOTE: Used desiccant material can be regenerated by spreading desiccant material in a thin layer in a shallow pan, heating in a circulating furnace at 275(F until complete color transformation occurs, in approximately three hours. Caution should be used in heating the desiccant. DO NOT exceed 20(F per minute on heat up and 350(F on bake out.

MAINTENANCE

Care must be taken to change the dryer's desiccant material or regenerate it whenever it appears completely pink in color. Following are the steps to be taken when recharging dryer: 1) Shut off air supply and bleed system. 2) Unscrew ring nut, remove bowl assembly. 3) Remove used desiccant. 4) Check, and clean if necessary, the Exhaust Tube of dust particles by removing acorn nut, gasket seal and nut. 5) Before filling bowl with desiccant, remove Sight Retainer, O-ring and used desiccant. 6) Fill Sight Body to O-ring seal level with new or recharged desiccant beads. 7) Secure Sight Retainer, Sight, and O-ring by hand-tightening. 8) Fill bowl with new or recharged desiccant (3 1/2 cups, 1 1/4 lbs., or 1 Qt.). 9) Replace bowl assembly and tighten ring nut hand-tight. **CAUTION:** Do not remove Sight Retainer while bowl is under pressure.

STORAGE

Store replacement desiccant in a dry area making certain that jar is tightly sealed and shelf life noted.



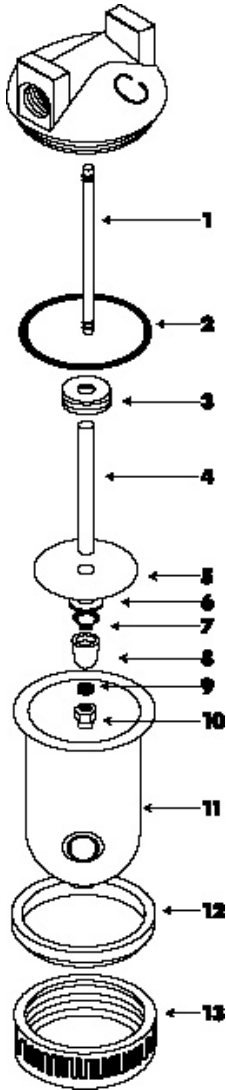
Series D10

ID#	DESCRIPTION	KIT NO.	CONTENTS	
2, 11, 13	Bowl Kit	D10	D10XL	
		BKD10V	BKDXLV	O-Ring, Bowl Assy. W/Sight, Adapter, 12, Bowl Ring
1, 3, 4, 7, 10	Repair Kit	BKD10M	BKD10XLM	
			Bowl Ring	O-Ring, Bowl Assy. W/o Sight, Adapter, Ring, Cap Nut
5, 8, 9	Element Kit	EKD10	EKD10XL	Exhaust Element, Gasket, Dispersion Filter
N/S	Sight Kit	SKD10	SKD10	Sight, O-Ring

NOTE: To prevent excessive pressure drop, it is recommended that the Exhaust Element (EKD10) be replaced whenever the desiccant is replaced or recharged.

Series D26-06

Series D26-06



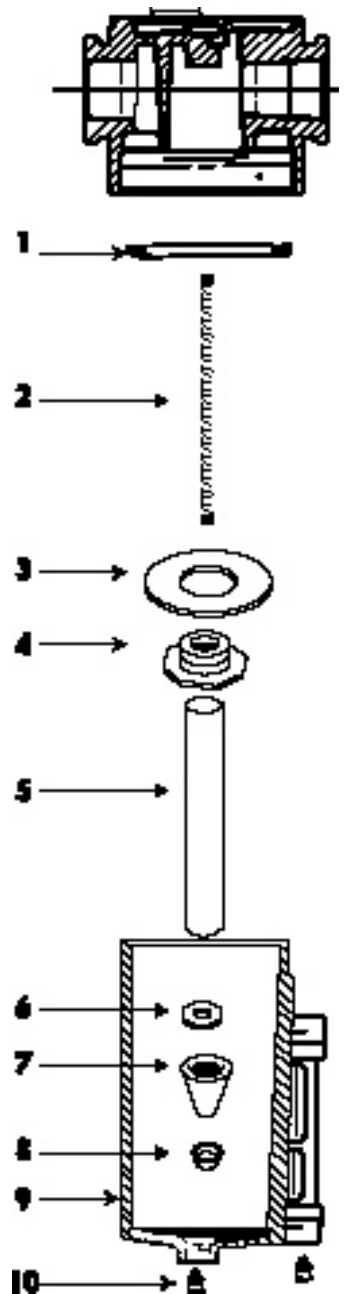
ID#	DESCRIPTION	KIT NO.	CONTENTS
1, 11, 12	Bowl Kit with Sight Bowl Kit w/o Sight	BKD25 BKD25M	O-Ring, Bowl Assy. W/Sight, Pipe Plug O-Ring, Bowl Assy., Pipe Plug
2, 3, 5, 6, 10	Repair Kit	RKD25	Threaded Rod, Exhaust Tube, Exhaust 7, Tube Adapter Assy., Washer Retaining Ring, Cap Nut
4, 8, 9	Element Kit	EKD25	Exhaust Element, Gasket, Dispersion Filter

NOTE: To prevent excessive pressure drop, it is recommended that the Exhaust Element (EKD25) be replaced whenever the desiccant is replaced or recharged.

D05-03 MAINTENANCE

When filling Sight Glass Tube with new desiccant, remove Sight Glass Pipe Plug, empty out used pink desiccant, and fill with new or recharged blue desiccant. Reinstall Pipe Plugs with new thread sealant.

Series D05-03



Series D05-03

ID#	DESCRIPTION	KIT NO.	CONTENTS
1, 9, 10	Bowl Kit w/Sight	BKD05W-1	O-Ring, Bowl Assy. W/sight, Pipe Plug
2, 4, 5, 8	Repair Kit	RKD05-1	Threaded Rod, Exhaust Tube, Exhaust Tube Adapter Assy., Washer Retaining Ring, Cap Nut
3, 6, 7	Element Kit	EKD05	Exhaust Element, Gasket, Dispersion Filter
Not Shown	Sight Kit	SKD05	Sight, O-Ring

NOTE: To prevent excessive pressure drop, it is recommended that the Exhaust Element (EKD10) be replaced whenever the desiccant is replaced or recharged.

FILTER/REGULATOR INSTRUCTION SHEET
SERIES B75

Bowl	Max. Pressure	Temp. Range
Plastic	150 PSI	40°F to 125°F
Metal	250 PSI	40°F to 200°F
w/Sight	250 PSI	40°F to 175°F
Auto Drain	30 to 175 PSI	40°F to 125°F

WARNING: Not to be used on life support systems. For compressed air service only. Never use polycarbonate plastic bowl with air supplied by a compressor lubricated with synthetic oils or oils containing phosphate esters or chlorinated hydrocarbons. They can carry over into the air distribution system and chemically attack and possibly rupture the bowl. On these applications use a metal bowl. Also, do not expose the polycarbonate plastic bowl to materials such as carbon tetrachloride, trichlorethylene, acetone, paint thinner, cleaning fluids, or other harmful materials, for they too will craze and/or rupture the bowl. If materials harmful to polycarbonate are present either outside or inside the bowl, use a metal bowl.

MAINTENANCE AND OPERATION

FILTER: Filtering out of dirt and foreign particles and separation of moisture is automatic with air flow. There are no moving parts and no adjustments are necessary. Accumulated sludge and moisture should be drained off. Sediment should not be permitted to fill above the lower baffle.

Wash filter element with naphtha cleaner to maintain filtering efficiency. To clean element, depressurize system, unscrew polycarbonate bowl, and unscrew element from head. Dry filter element thoroughly before reassembling. Filter bowl(s) are to be cleaned only with soapy water. Inspect gasket, replacing if damaged or distorted. Reassemble with care to avoid stripping threads on bowl. After metal bowl with sight is tightened it may be rotated up to 180° for proper sight orientation.

REGULATOR: The regulator will accurately control secondary pressure between 5 and 125 PSI. The self-bleed venting feature permits use on dead-end applications. After the regulator is installed, back off pressure adjusting knob before the air is turned on. Turn on the air supply and regulate the adjusting knob until the pressure gauge shows the desired pressure. To lock adjusting knob, push down until knob snaps into locking groove. To make regulator tamper-resistant, remove adjusting knob from unit. Regulator may be readjusted by replacing knob.

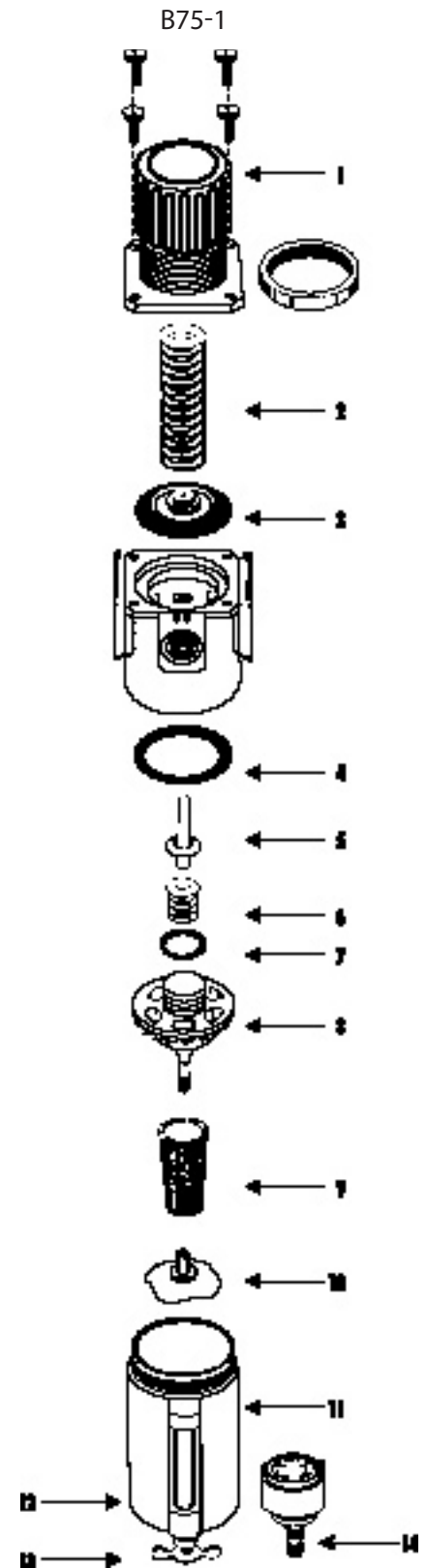
IMPORTANT: Use care to avoid screwing fittings too far into body of units as it may close internal ports. Normally finger tight plus one turn will seal.

TAMPER-PROOF OPTION

The optional cap (P/N 91806) has been provided in the plastic bag to ensure that the reduced pressure setting cannot be tampered with. To make the unit "tamper-proof", proceed as follows: turn the adjustment knob until the desired reduced pressure is reached. Remove the adjustment knob by pulling upward. Install the tamper-proof cap in its place.

NOTE: To make permanently tamper-proof, LOCTITE the cap in place.

CAUTION: By permanently loctiting the tamper-proof cap into place, the pressure adjustment cannot be changed.



FIVE SERIES

ID#	KIT DESCRIPTION	PART NO.	CONTENTS
		B750	
1	Regulator Bonnet Repair Kit	SC35 SC35T (T-Handle)	Cap, Bonnet Lock Screws
2	Adjusting Spring Kit	SK35 SK35L SK35H	Adj. Spring 5-125 Adj. Spring 3-60 Adj. Spring 10-250
3	Diaphragm Repair Kit (STD)	DK35HD DK35HDN	Relieving Diaphragm Non-Relieving Diaphragm
5, 6, 7, 8, 9, 10	Valve Kit	VKB75	Valve Assy., O-Ring, Spring, Gasket, Back Cap
9	Element Kit	EK35 (STD) EK35-3 EK35-5	40 Micron 3 Micron Absolute 5 Micron
Not Shown	Bowl Kit Drain Valve, O-Ring	BK35	Plastic Bowl, Bowl Guard,
4, 11, 13		BKF45M (6 oz.)	Metal Bowl, O-Ring, Drain
4, 11, 12, 13		BKF45W (6 oz.)	Metal Bowl, Sight Tube and Ball, O-Rings, Drain
14	Optional Auto Drain Kit	5200	Float Drain

